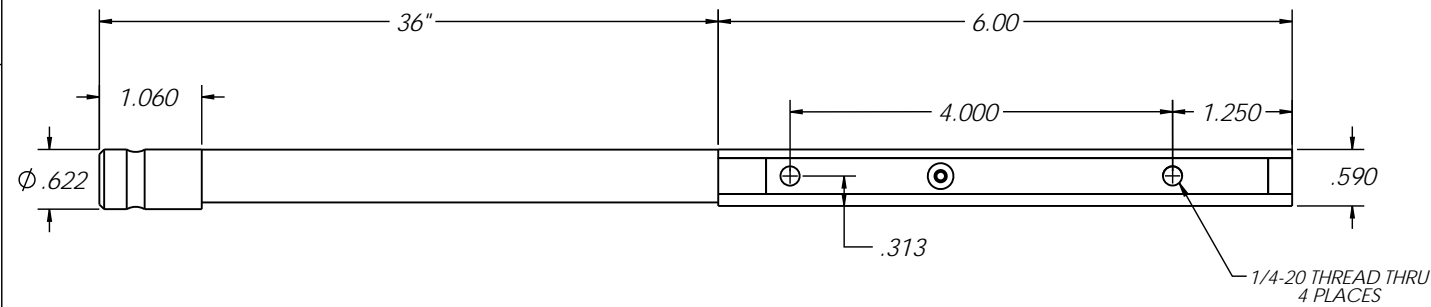
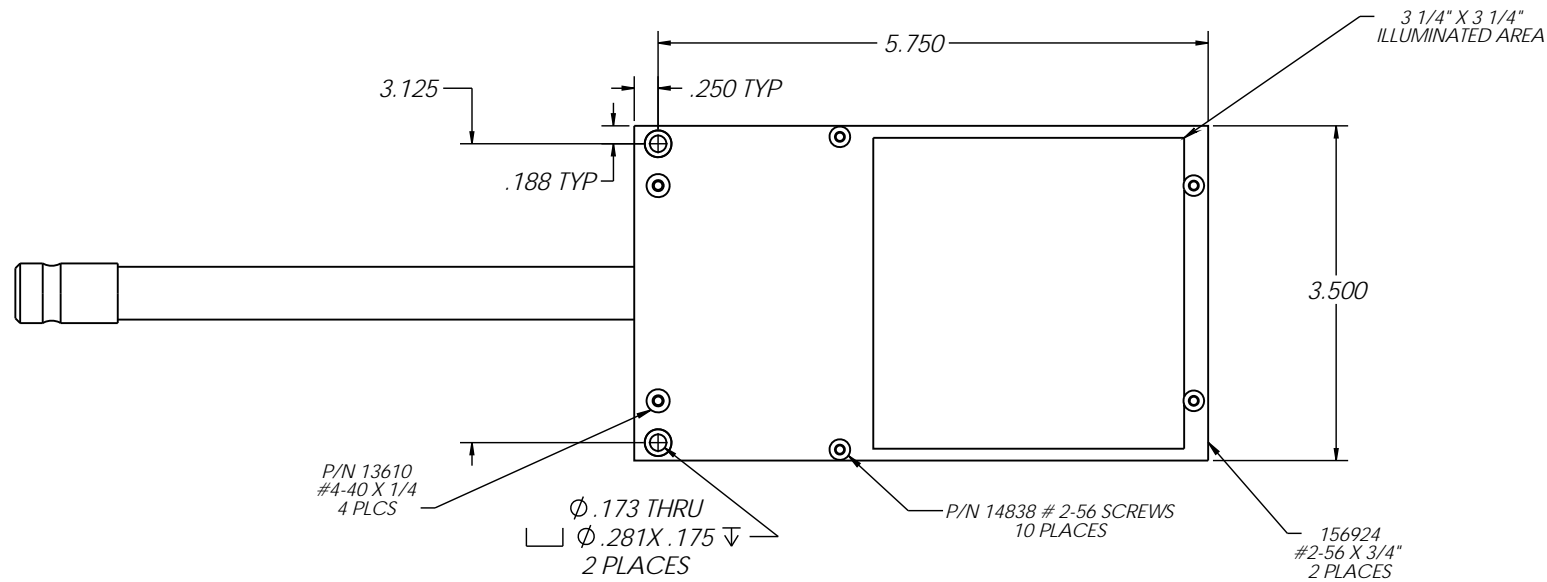
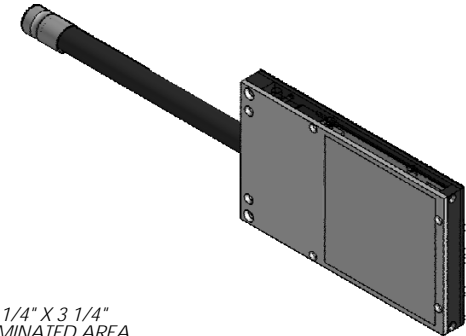
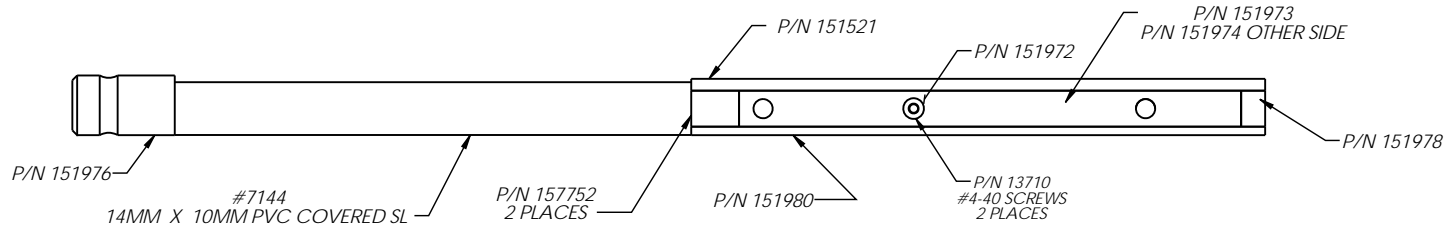


DATE	SYM	REVISION RECORD	AUTH.	DR.	CK.
10/26/10	B	DESIGN CHANGE ECN#1743	SG	VB	RJM



NOTES:

- 1) FIBER-LF5 .002
- 2) APPLY REFLECTIVE TAPE TO BOTTOM AND SIDES OF 3 X 3 OPENING
- 3) FIBER LINE ASSEMBLY P/N 151981

PROPRIETARY AND CONFIDENTIAL
 THE INFORMATION CONTAINED IN THIS DRAWING IS THE SOLE PROPERTY OF FIBEROPTICS TECHNOLOGY. ANY REPRODUCTION IN PART OR AS A WHOLE WITHOUT THE WRITTEN PERMISSION OF FIBEROPTICS TECHNOLOGY IS PROHIBITED.

UNLESS OTHERWISE SPECIFIED:	NAME	DATE	TITLE:
DIMENSIONS ARE IN INCHES	DRAWN	VB	9/14/10
TOLERANCES:	CHECKED	RJM	11/02/10
ANGULAR MATCH ± .2°	ENG APPR	RJM	11/02/10
TWO PLACE DECIMAL ± .010	MFG APPR:		
THREE PLACE DECIMAL ± .005	D.A.		
INTERPRET GEOMETRIC TOLERANCING PER:	COMMENTS:		
DO NOT SCALE DRAWING			

SIZE	DWG. NO.	REV
C	FTIBL16308	B
SCALE: 1:1	WEIGHT:	SHEET 1 OF 1