

PWM

Pulse-Width Modulation

Dimming Control

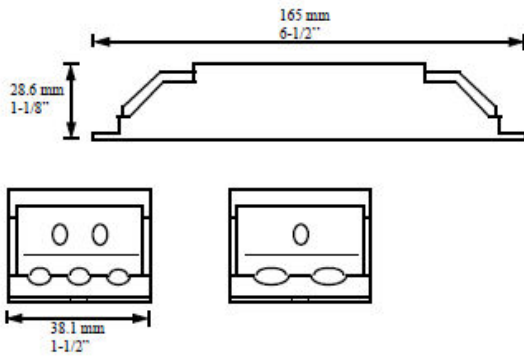


PWM 24V 1CH

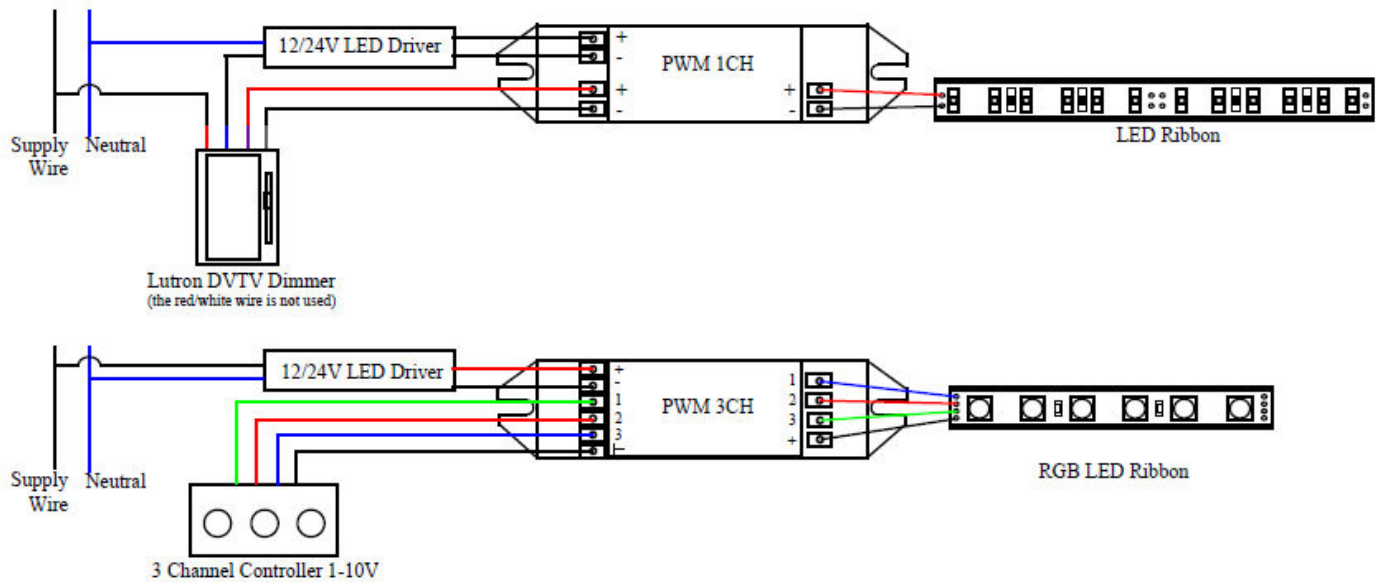


PWM 24V 3CH

DIAGRAMS - DIMENSIONS



CONNECTION DIAGRAM



FEATURES

- Low Voltage 12V - 24V DC
- 1 or 3 Channels



APPLICATION

- Use in conjunction with 1-10V Dimming Control for LED Ribbon

SPECIFICATIONS

Electrical

Input Voltage	12V or 24V LED Driver Do not plug directly into 120V
Connections	ScREW PLUGS
Input	1 x 1-10V 3 x 1-10V
Max Power	105W 4.2A per channel
Operating Temp	-20°C to 50°C
Control System	Requires 1-10V Dimmer

Mechanical

Housing Construction	Plastic
Weight	72g (2.5 oz)

CONTROLLERS

	<p>BL-SLIDE-DIMMER 0-10V Dimmer On/Off Switch with Dimming Slider Max Load: 30mA</p>
--	---