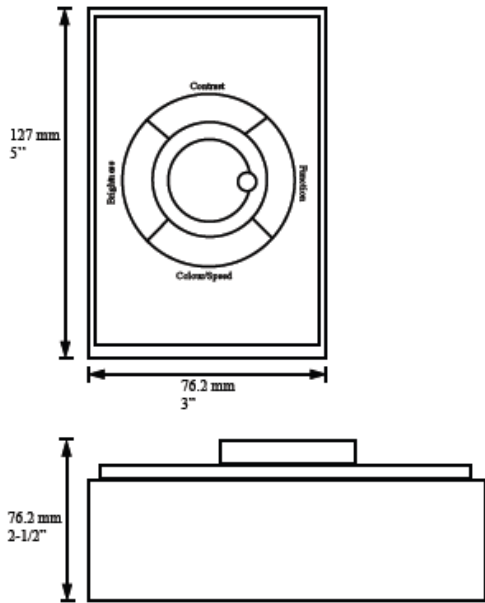


# CONTROLLER

## Pavo Dial - RGB Controller



### DIAGRAMS - DIMENSIONS



### FEATURES

- Low Voltage 24V DC
- Colour Changing & Dimming
- 4 Control Functions
- Dialing Knob Control



### APPLICATION

- Controller for LED Ribbon Lighting or DMX Fixtures

### SPECIFICATIONS

#### Electrical

Input Voltage	24V LED Driver Do not plug directly into 120V
Connections	Screw and jack plugs
Power Draw	96 W 4 A
Operating Temp	-20°C to 60°C

#### Mechanical

Housing Construction	Plastic
Weight	144 g (5 oz)

### CONTROL

Press down on the knob to switch through menus

Brightness	Adjust light dimming
Contrast	Fade colour to white (white fades to purple)
Function	Static Red Static Green Static Blue Static White Cool colours changing Colour changing Colour changing in reverse direction
Colour/Speed	Colour - Gradual selection of colour when Function set as static Speed - Gradual change in speed when Function set as colour changing

### CONNECTION DIAGRAM

