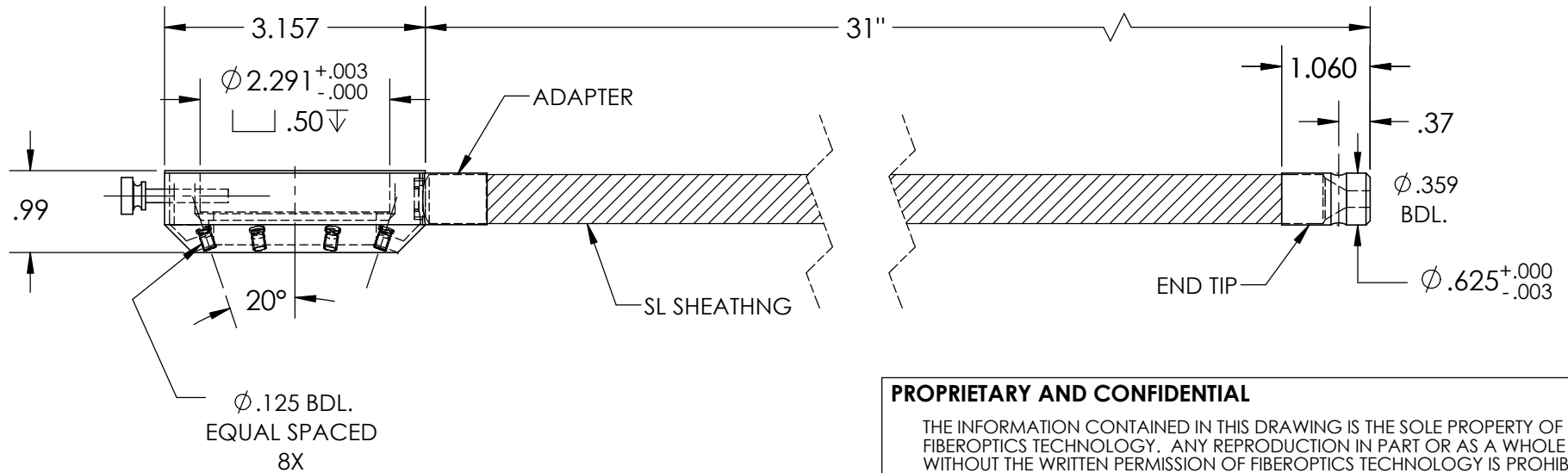
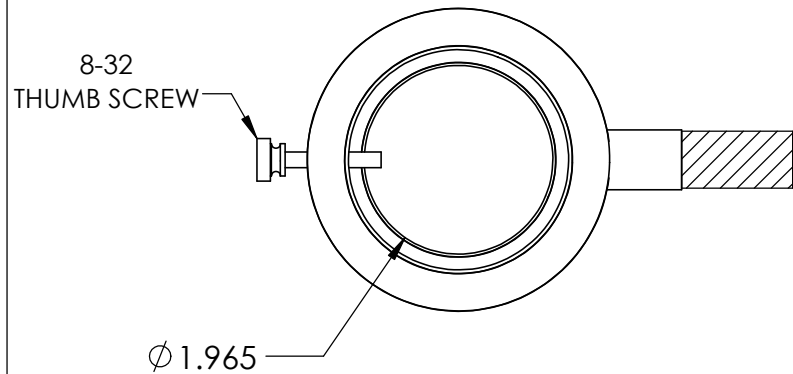


DATE	SYM	ECO#	REVISION RECORD	AUTH.	DR.	CK.



NOTES:

- 1) FIBER-PureWave® XL55 OR SL55
- 2) RING LIGHT-BLACK HARD COAT
- 3) ADAPTER, END TIP AND SHEATHING 300 SERIES STST
- 4) WORKING DISTANCE-1.5"-6"

PROPRIETARY AND CONFIDENTIAL

THE INFORMATION CONTAINED IN THIS DRAWING IS THE SOLE PROPERTY OF FIBEROPTICS TECHNOLOGY. ANY REPRODUCTION IN PART OR AS A WHOLE WITHOUT THE WRITTEN PERMISSION OF FIBEROPTICS TECHNOLOGY IS PROHIBITED.

UNLESS OTHERWISE SPECIFIED:	NAME	DATE
DIMENSIONS ARE IN INCHES	DRAWN	MH 07/29/2020
TOLERANCES:	CHECKED	SG 08/05/2020
ANGULAR: MACH $\pm 2^\circ$	ENG APPR.	SG 08/25/2020
TWO PLACE DECIMAL $\pm .010$	MFG APPR.	
THREE PLACE DECIMAL $\pm .005$	Q.A.	
INTERPRET GEOMETRIC TOLERANCING PER:	COMMENTS:	
MATERIAL -		
FINISH -		
DO NOT SCALE DRAWING		

FIBEROPTICS TECHNOLOGY

TITLE:
RL-8-30 SPOT RING LIGHT ASSEMBLY

SIZE A	DWG. NO. FTIRL10510	REV A
------------------	-------------------------------	-----------------

SCALE: 1:2 SHEET 1 OF 1